



# Educational System of Ukraine

ECE® Education System Chart and Key



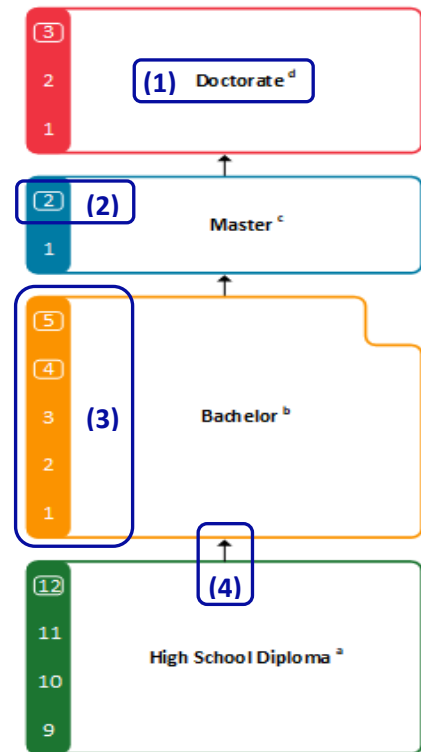
Compiled by Karen Krug & Nick Kelley,  
ECE® Evaluators

February 2022

## Guide to Education System Charts

ECE® Education System Charts represent the typical progression through the country's educational system, from primary to higher education. Charts include the credential name, program duration, credential type or level, and typical progression through the system.

- (1) **Credential name** is included in the native language or English, with superscript letters to match the credential to the Key (included with ECE® Connection Advantage).
- (2) **Program duration** is reflected by a white box around the year(s) the credential is typically awarded.
- (3) **Credential type** or level is indicated by color. Colors generally refer to:
  - Green = Primary & Secondary
  - Orange = Undergraduate / 1<sup>st</sup> Cycle
  - Light Blue = Graduate / 2<sup>nd</sup> Cycle
  - Red = Doctoral / 3<sup>rd</sup> Cycle
  - Dark Blue = Vocational
  - Grey = Professional, alternative or optional paths
- (4) **Typical progression through the system** is represented by arrows. Not all pathways, credentials, or progressions are included. Major system changes are included if they were recently adopted.



## Guide to Education System Keys

ECE® Education System Keys are available to ECE® Connection Advantage subscribers. For information on how to become an ECE® Connection Advantage user, go to [TheConnection.ece.org/Advantage](https://TheConnection.ece.org/Advantage). Keys include detailed credential information and supplement the Charts. They may include the following:

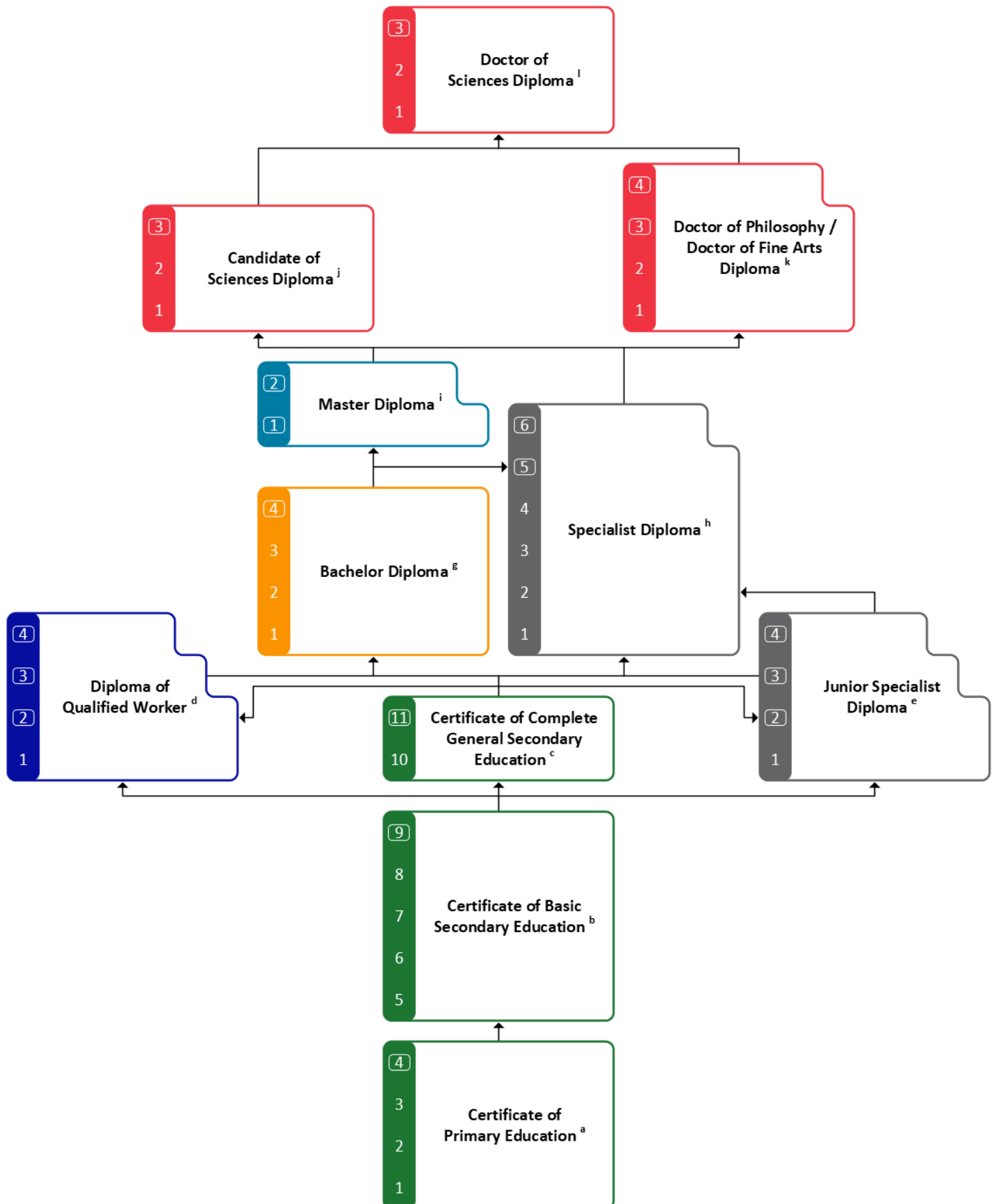
- **Credential type** or level indicates the level of education within the educational system.
- **Credential name** is included in the native language with English translation (if applicable). Pertains to the benchmark credential awarded. If there are alternate names, the most common is listed on the chart, with possible variations listed on the key.
- **Typical age of the student** is included for primary and secondary education only. Also defines end of compulsory education (if applicable).
- **Duration** of the program is cited, and whether education is part-time or full-time.
- **Admission requirement** indicates normal requirements needed to access the program.
- **Awarding/Regulating body** is listed for credentials, as well as teaching institution (if applicable).
- **Institutional providers** are highlighted with the comment: *Offered at*
- **Progression through the system** is referenced by the comment: *Provides access to*

g. *Licenciado* (Licentiate)

- Credential names include *Licenciado*, *Licenciatura*, and *Licenciatura Plena*
- Admission based on completion of *Ensino Médio* (b) and *ENEM/Vestibular* (c, d)
- 3-5 years
- Focus on teacher training
- Regulated by: MEC
- Awarded by: higher education institutions
- Provides access to: advanced standing in *Bacharel* (h) programs in same field; *Especialista* (i) programs; *Mestre* (j) programs; some *Doutor* (k) programs; teaching profession

Additional information provided, if available:

- **Level** within a National Qualification Framework is mentioned.
- **Credits, or their equivalent**, are included if part of a standardized system.



## Education System Key

### Primary & Secondary Education

- a. **Certificate of Primary Education** (Свідоцтво про здобуття початкової освіти)
  - 4 years
  - Compulsory, typically ages 6-10
  - Level 1 on National Qualifications Framework (NQF)
  - Offered at general educational institutions
  - Provides access to: Basic Secondary Education (b)
- b. **Certificate of Basic Secondary Education** (Свідоцтво про здобуття базової середньої освіти)
  - Admission based on Certificate of Primary Education (Свідоцтво про здобуття початкової освіти) (a)
  - 5 years
  - Compulsory, typically ages 11-15
  - Level 2 on NQF
  - Offered at general educational institutions of levels I-II
  - Provides access to: General Secondary Education (c)
- c. **Certificate of Complete General Secondary Education** (Свідоцтво про здобуття Повної загальної середньої освіти)
  - From 2013-2019, known as Аттестат про повну загальну середню освіту (Certificate of Complete General Secondary Education)
  - Admission based on Certificate of Basic Secondary Education (Свідоцтво про здобуття базової середньої освіти) (b)
  - 2 years (3 years under the 12-year school reform system)
  - Not compulsory, typically ages 16-17
  - Level 3 on NQF
  - Offered at general and specialized secondary schools, boarding schools, lyceums, gymnasiums, colleges, and other institutions of general secondary education of Level III
  - Provides access to: higher education

### Technical & Vocational Education & Training

- d. **Diploma of Qualified Worker** (Диплом кваліфікованого робітника)
  - Admission based on completion of Basic (b) or Complete Secondary Education (c)
  - Up to 4 years after Basic Secondary Education (b), up to 2 years after Complete Secondary Education (c)
  - Levels 2-4 on NQF
  - Offered at: uchilishche (Specialized School), tekhnikum (Technical Specialized School)
  - Provides access to: employment, higher education
- e. **Junior Specialist Diploma** (Диплом молодшого спеціаліста)
  - Admission based on completion of Basic (b) or Complete Secondary Education (c)
  - 2-4 years long depending on previous education
  - Levels 4-5 on NQF
  - Offered at: universities or other higher educational institutions, tekhnikum (technical specialized school), kollydzh (college), uchilishche (specialized school)

- Provides access to: advanced standing in higher education
  - Junior Specialist programs were set to be phased out in 2019, but we occasionally still see them being offered
- f. **Junior Bachelor Diploma** (Диплом молодший бакалавр)
- Admission based on Complete General Secondary Education (c)
  - 1.5-2 years long
  - Level 5 on NQF
  - Offered at universities and other higher educational institutions
  - Provides access to: advanced standing in bachelor programs (g)
  - The Junior Bachelor was meant to replace the junior specialist program but as of 2017 there is no more admission into junior bachelor programs.

### Higher/Professional Education

- g. **Bachelor Diploma** (Диплом бакалавра)
- Admission based on Complete General Secondary Education (c)
  - Advanced standing possible if admitted based on Junior Specialist (e) / Junior Bachelor (f)
  - 4 years
  - Level 6 on NQF
  - Offered at: universities, other higher education institutions
  - Provides access to: Specialist (h) in related field, Master program (i)
- h. **Specialist Diploma** (Диплом спеціаліста)
- Admission based on Complete General Secondary Education (c) for dentistry, pharmacy, medicine, and veterinary medicine; admission based on Bachelor diploma (g) in other fields
  - Advanced standing possible in professional fields if admitted based on Junior Specialist (e) / Junior Bachelor (f) in related field
  - 5 years in dentistry and pharmacy, 6 years in medicine and veterinary medicine; 1-1.5 years following Bachelor diploma (g) in other fields
  - Level 7 on NQF
  - In the process of being replaced by Master diplomas (i)
  - Offered at: universities, other higher education institutions
  - Provides access to: internship/residency for professional programs; Candidate (j)/ Doctor programs (k)
- i. **Master Diploma** (Диплом магістра)
- Admission based on Complete General Secondary Education (c) for dentistry, pharmacy, medicine, and veterinary medicine; admission based on Bachelor diploma (g) in other fields
  - Advanced standing possible in professional fields if admitted based on Junior Specialist (e)/ Junior Bachelor (f) in related field
  - 5 years in dentistry and pharmacy, 6 years in medicine and veterinary medicine; 1-2 years following Bachelor diploma (g) in other fields
  - Level 7 on NQF
  - In the process of replacing Specialist diplomas (h)

- Offered at: universities, other higher education institutions
  - Provides access to: internship/residency for professional programs; Candidate (j)/ Doctor programs (k)
- j. **Candidate of Sciences Diploma** (Диплом кандидата наук)
- Credential name typically includes field of study (e.g. *Candidate of Medical Sciences, Candidate of Philological Sciences, etc.*)
  - Admission based on Specialist (h) or Master diploma (i)
  - Min. 3 years
  - Level 8 on NQF
  - In the process of being replaced by Doctor of Philosophy / Doctor of Fine Arts (k)
  - Offered at: universities, other higher education institutions
  - Awarded by: Ministry of Education and Science (previously awarded by Higher Attestation Commission)
  - Provides access to: Doctor of Sciences program
- k. **Doctor of Philosophy / Doctor of Fine Arts Diploma** (Диплом доктора філософії / доктора мистецтва)
- Admission based on Specialist (h) or Master diploma (i)
  - Min. 3-4 years
  - Level 8 on NQF
  - In the process of replacing Candidate of Sciences (j)
  - Offered at: universities, other higher education institutions
  - Awarded by: Ministry of Education and Science
  - Provides access to: Doctor of Sciences program (l)
- l. **Doctor of Sciences Diploma** (Диплом доктора наук)
- Admission based on Candidate of Sciences (j) or Doctor of Philosophy (k)
  - Up to 3 years
  - Level 9 on NQF
  - Not intended to be offered after 2021
  - Offered at: universities, other higher education institutions
  - Awarded by: Ministry of Education and Science (previously awarded by Higher Attestation Commission)

## Glossary

Note: A Ukrainian adjective precedes the noun it modifies, and agrees with its case, gender, and number. For this reason, some of these words may have different endings depending on their context.

English	Ukrainian [Transliteration]
Bachelor	Бакалавр [Bakalavr]
Basic (as in, Basic Secondary Education)	Базова [Bazova]
Candidate of Sciences	Кандидат наук [Kandydat nauk]
Certificate	Атестат [Atestat] or Свідоцтво [Svidotstvo]
College	Коледж [Koledzh]
Complete (as in, Complete General Secondary Education)	Повна [Povna]
Diploma	Диплом [Dyplom]
Doctor of Fine Arts	Доктор мистецтва [Doktor mystetstva]
Doctor of Philosophy	Доктор філософії [Doktor filosofii]
Doctor of Sciences	Доктор наук [Doktor nauk]
Higher Attestation Commission of Ukraine	Вища атестаційна комісія України [Vyshha atestacijna komisiya Ukrayiny]
Junior Bachelor	Молодший бакалавр [Molodshii Bakalavr]
Junior Specialist	Молодший спеціаліст [Molodshii Spetsialist]
Master	Магістр [Mahistr]
Ministry of Education and Science of Ukraine	Міністерство освіти і науки України [Ministerstvo osvity i nauky Ukrayiny]
Ministry of Education, Science, Youth and Sports of Ukraine	Міністерство освіти і науки, молоді та спорту України [Ministerstvo osvity i nauky, molodi ta sportu Ukrayiny]
Secondary education	Середня освіта [Serednya osvita]
Specialist	Спеціаліст [Spetsialist]
Specialized school	Училище [Uchilishche]
Technical specialized school	Технікум [Tekhnikum]

## Resources

- ✓ ENIC Ukraine: <http://enic.in.ua/>
- ✓ Ministry of Education and Science of Ukraine: <https://mon.gov.ua/ua>

ECE® Education System Charts and Keys were developed by the Research & Knowledge Management Evaluator team (Benjamin Iberle, Jade Jiang Rieger, Karen Krug, Majka Drewitz, Melissa Ganiere, and Rasmus Spanner). The cover image was obtained from Wikimedia Commons (CC0 1.0).